

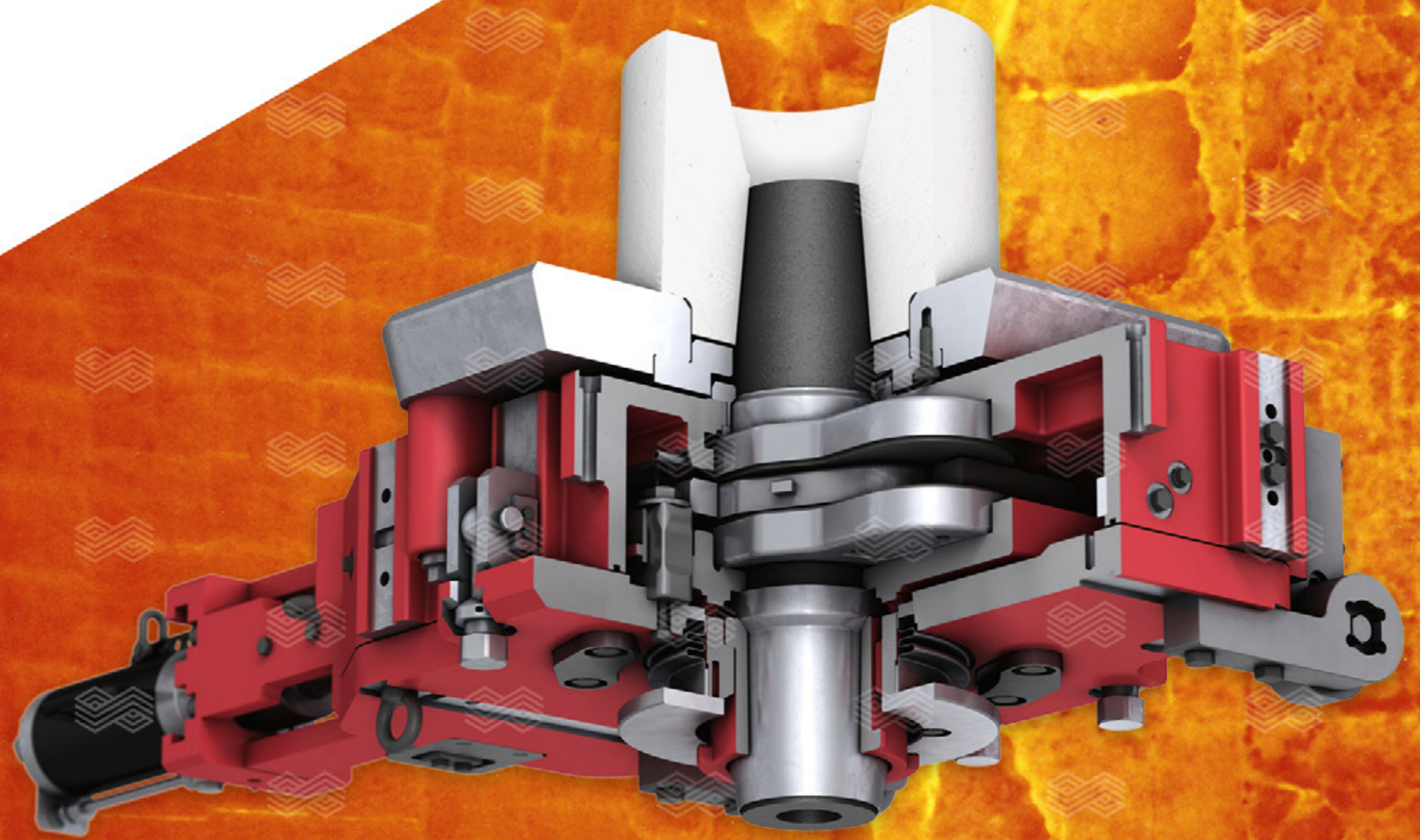
**INTERSTOP®**

STEEL / FLOW CONTROL TECHNOLOGY

# Sealed Ladle Gate INTERSTOP® SLG



RHI MAGNESITA



# Sealed Ladle Gate INTERSTOP® SLG

## Overview

- 3-plate ladle gate designed for ingot casting
- Size selection according to specific customer requirement
- Fully sealed steel flow into the mold
- User-friendly design for safe, fast and simple operation
- Easy handling at preparation area
- Compact dimensions

## System Characteristics

- Only few main components
- Possibility for horizontal and vertical mounting
- Simple tensioning and clamping of plates
- Easy and comfortable handling
- Designed to fulfil the demands of a modern plant with regards to fully shielded casting

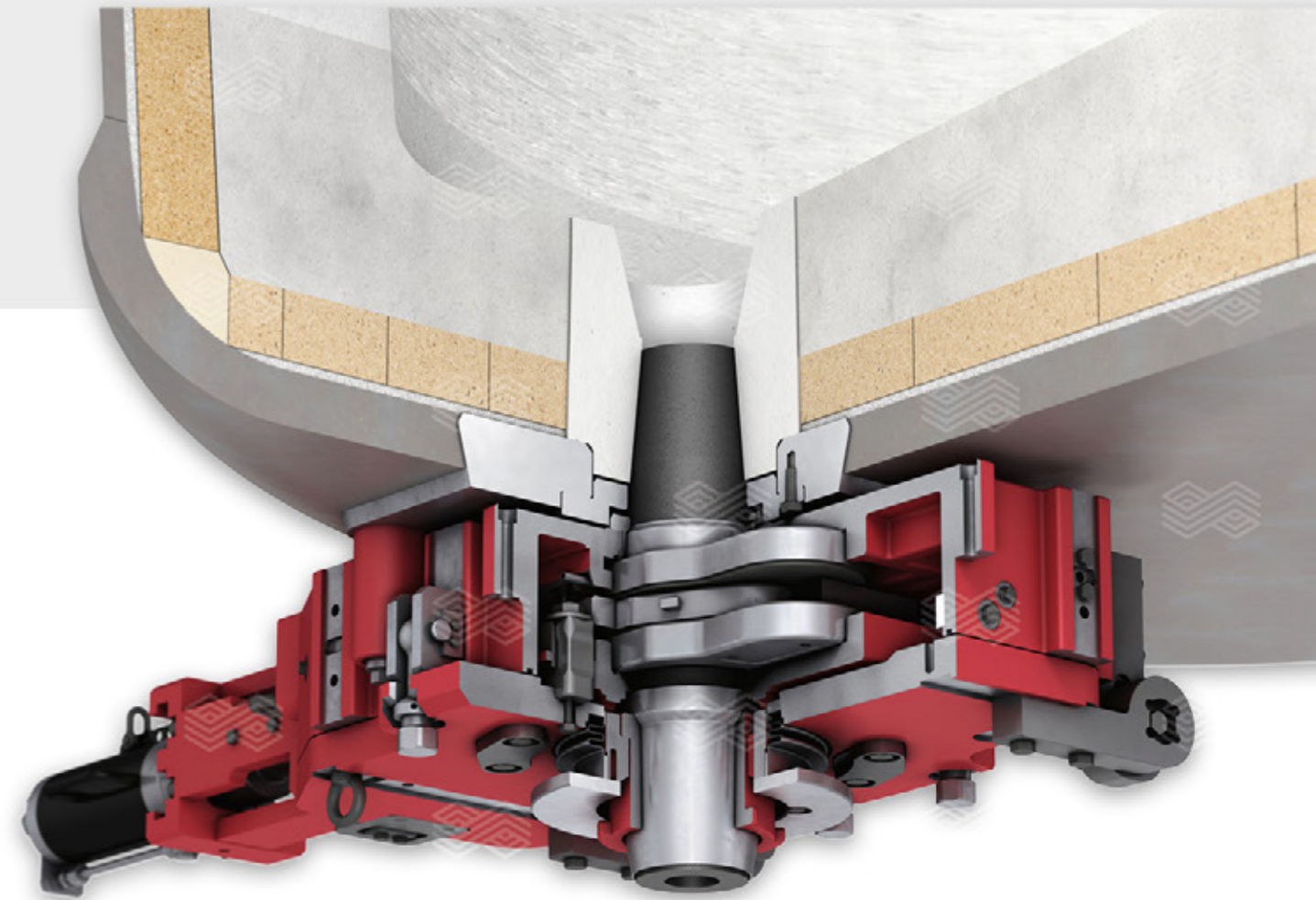
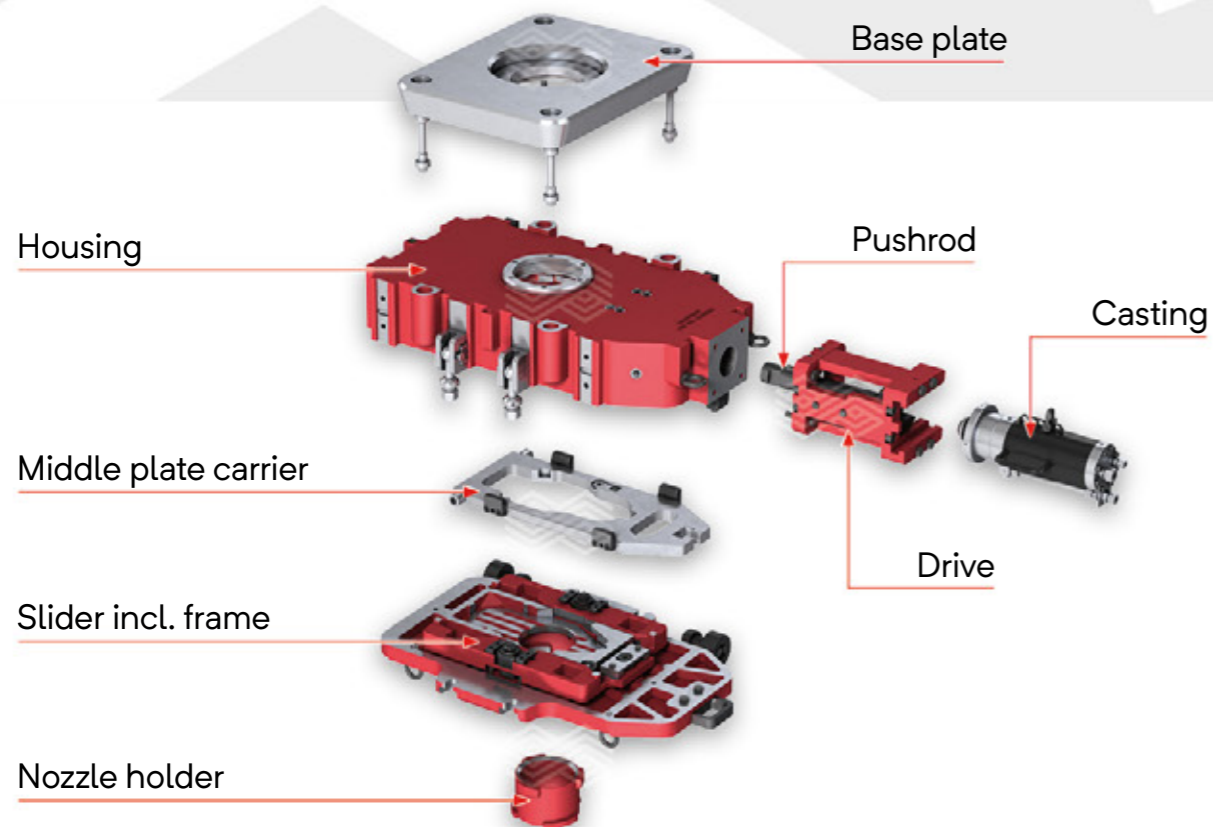
## Refractory Parts

- Clamping and self-centering of plates
- Positive effect on plate wear zone
- Controlled crack pattern of plates
- Wide refractory portfolio
- Flexible plate sizes

## Maintenance and Support

- Minimal maintenance work required
- Long lifetime of parts
- Long inspection intervals, short inspection time
- INTERSTOP® after sales service

## Main Parts



Ladle



Video



Imprint:

Media owner and publisher: RHI Magnesita GmbH, Kranichberggasse 6, 1120 Vienna, Austria

Produced by: RHI Magnesita — 02 / 2020-EN

Place of publication and production: Vienna, Austria



Copyright notice:

The texts, photographs and graphic design contained in this publication are protected by copyright. Unless indicated otherwise, the related rights of use, especially the rights of reproduction, dissemination, provision and editing, are held exclusively by RHI Magnesita. Usage of this publication shall only be permitted for personal information purposes. Any type of use going beyond that, especially reproduction, editing, other usage or commercial use is subject to explicit prior written approval by RHI Magnesita.

**Stopinc Aktiengesellschaft**

Bösch 83a, 6331 Hünenberg, Switzerland

T +41 41 785 75 00

E [interstop@rhimagnesita.com](mailto:interstop@rhimagnesita.com)

**RHI TRADING (DALIAN) CO., LTD**

Shanghai Branch

Rm. 1803 Lippo Plaza, No. 222 Huaihai (M) Rd. 200021 Shanghai, P. R. China

T +86 21 23199507

E [interstop@rhimagnesita.com](mailto:interstop@rhimagnesita.com)

**RHI US LTD.**

3956 Virginia Avenue, Cincinnati, Ohio 45227 USA

T +1 513 527 6160

E [interstop@rhimagnesita.com](mailto:interstop@rhimagnesita.com)

**RHI Magnesita GmbH**

Kranichberggasse 6, 1120 Vienna, Austria

T +43 50213 0

E [steel@rhimagnesita.com](mailto:steel@rhimagnesita.com)

[rhimagnesita.com](http://rhimagnesita.com)

The Journal of  
Refractory Innovations

**bulletin**

Subscriptions  
Service and  
Contributions

